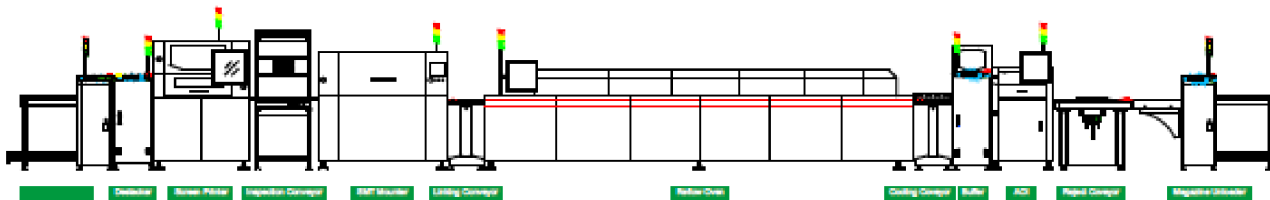
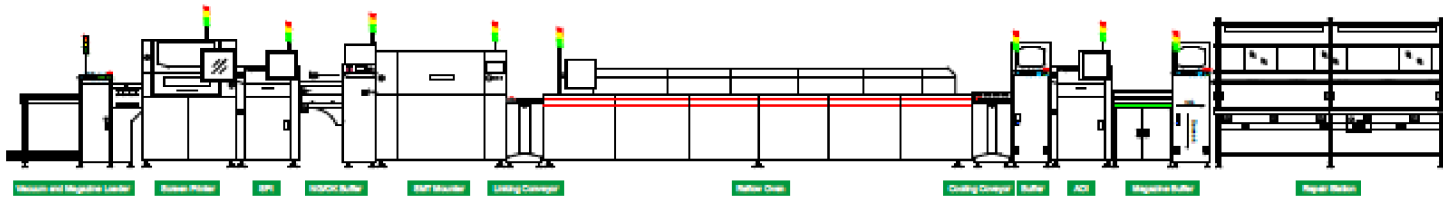


- Design and manufacture SMT & Auto Insertion (THT) machines over 20 yrs.
- Customize SMT Line Layout all over the world.
- Provide All Brand Spare Parts with a warranty.

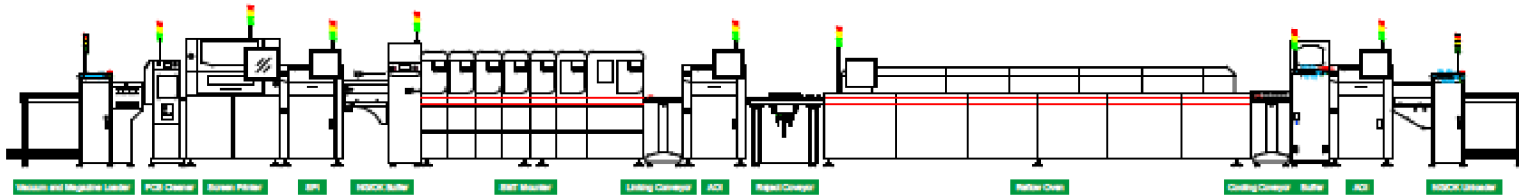
Economic SMT Production Line



Medium-Volume SMT Production Line



High-Volume Fully Automatic SMT Production Line



Automated Optical Inspection Line

- Enable your **SMT machine** with **Auto Insertion Function**.

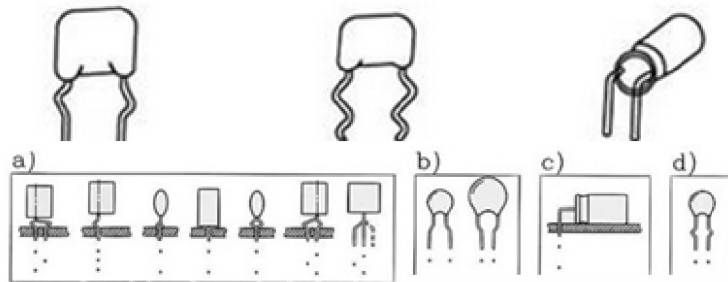
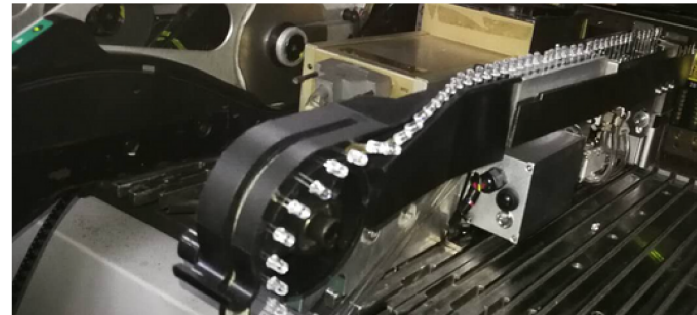
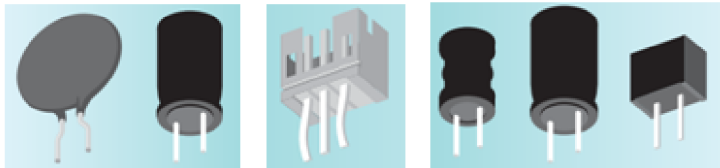


- Low Cost: **\$50~70K** for THT Machine VS **\$5~8K** for Odd form Feeder.
- High ROI: Save Significantly labor cost of Manual Insertion.

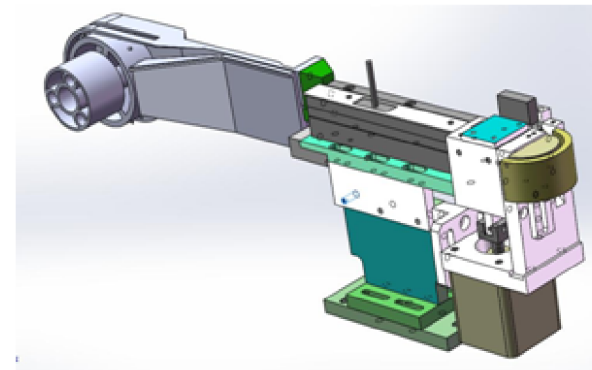
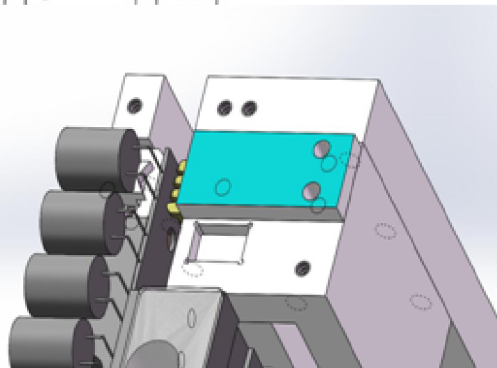


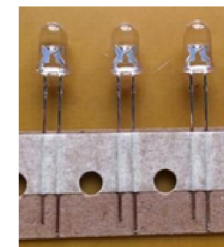
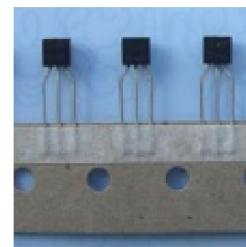
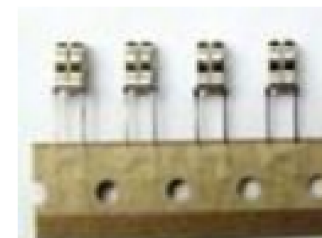
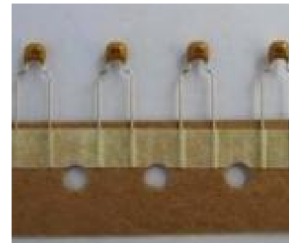
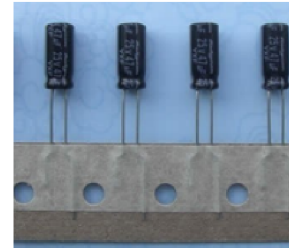
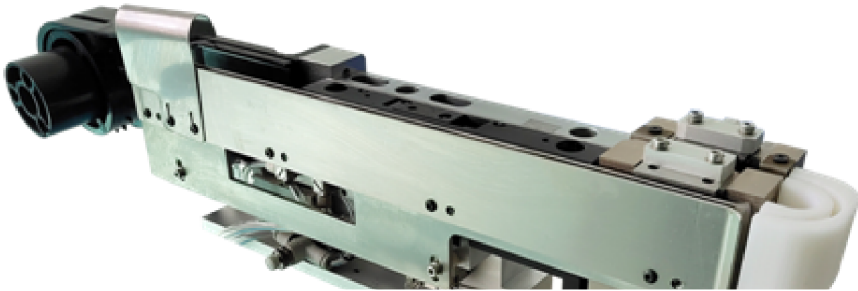
- 20 yrs+ experience in SMT & Auto Insertion Solution.
- Existing Customers include **GE, Bosch, Philips, Flex, Jabil, and Juki.**
- **Patent Owner** of Odd form Feeder.
- 1 Invention Patent & 2 New Practical Patents for THT radial feeder.
- More Patents under the application.
- Successful Cases.
- Our YTube Page.
- Pls Contact us for more videos of customized Odd form Feeder.

- **Radial Tape Feeder** enables SMT to pick and place machine to achieve Auto Insertion function on radial lead components Like caps, boxcars, MOVs, LEDs, etc.

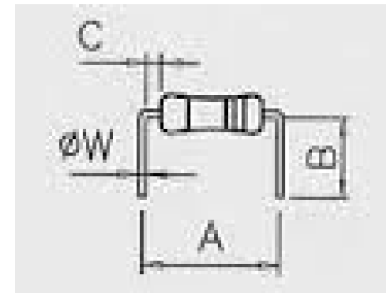
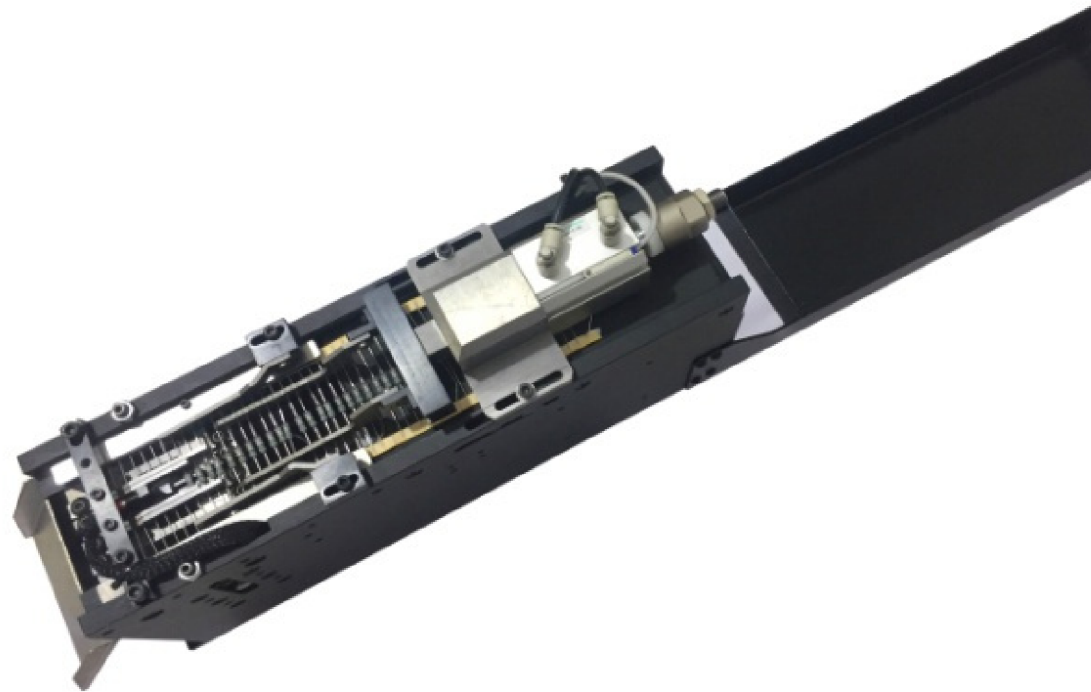


Auto insertion
with mounters:



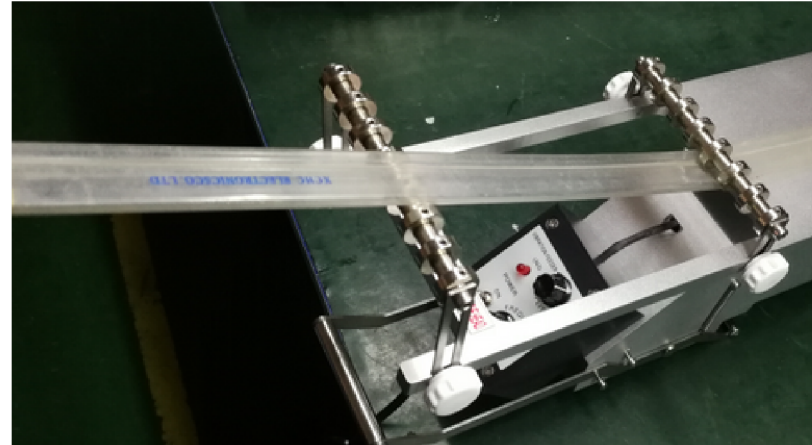
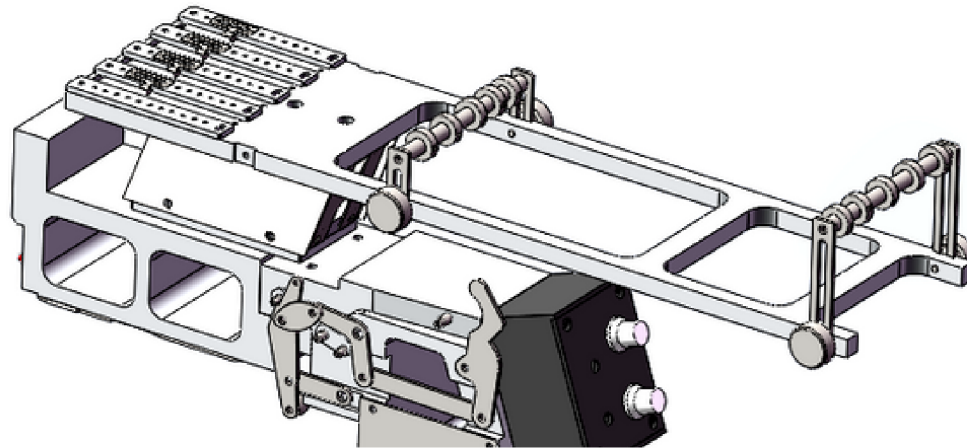


Model	RF1000
Component Body	Cylindrical: $\varnothing 3$ - $\varnothing 10$ mm; Rectangle: W5-10mm, L5-25mm
Component Height	5mm-25mm
Tape pitch	12.7mm or 25.4mm
Lead Dia	0.4mm-1.0mm
Lead Span	2.5mm-25mm
Lead Length	2.5mm-5mm
Feeding	Motor or Pneumatic drive
Cycle time	1.5s-2s
Component Range	E-cap、 Inductor, Terminal
Component Input	Taped package
Dimension	500 (L)x100 (W) x165 (H)

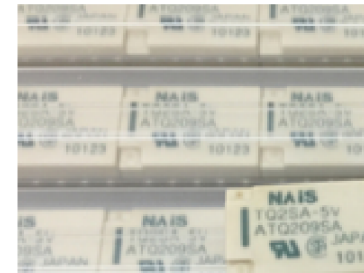
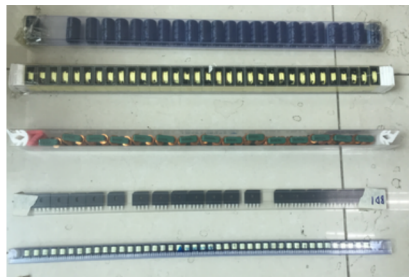
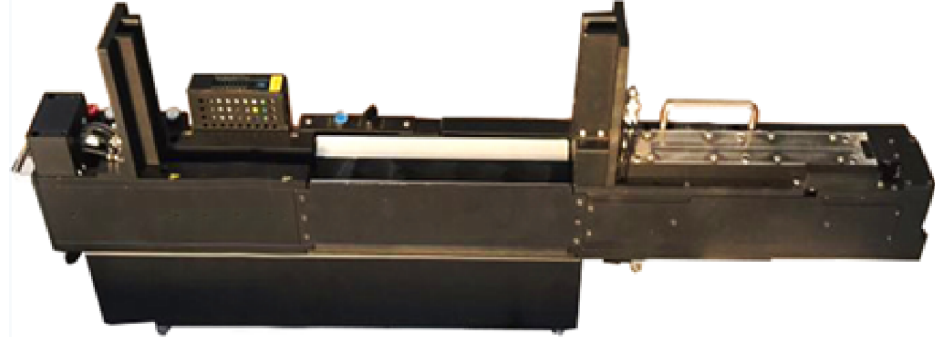


Model	AF2000
Component Body	ø2-ø10mm
Tape pitch	5mm、 10mm、 15mm、 20mm
Lead Dia	0.4mm-1.0mm
Lead Length	2.5mm-5mm
Feeding	Pneumatic drive
Cycle time	1.5s-2s
Component Range	Resistor、 Diode、 JW
Component Input	Taped package
Diminsion	700 (L)x100 (W) x165 (H)

VF3000 Vibration Tube Feeder

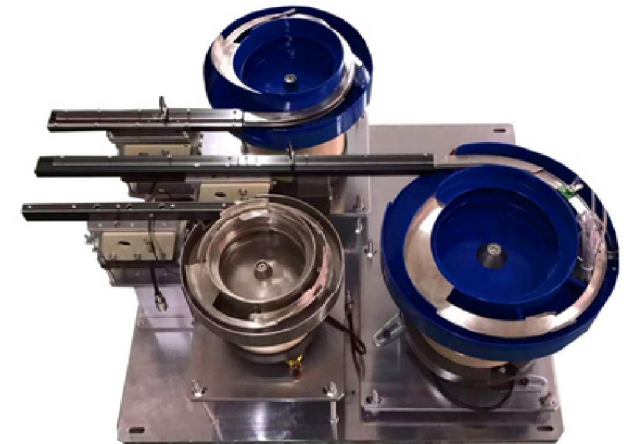
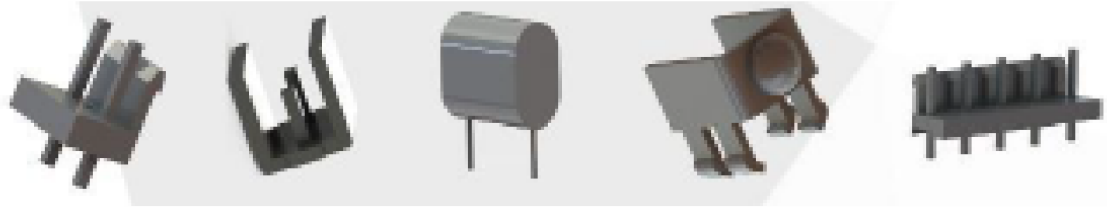


Model	VF3000
Component Size	5x5mm-10x10
Feeding	Vibration Drive
Cycle time	2s-3s
Component Range	IC
Component Input	tube package
Diminsion	400 (L)x100 (W) x165 (H)

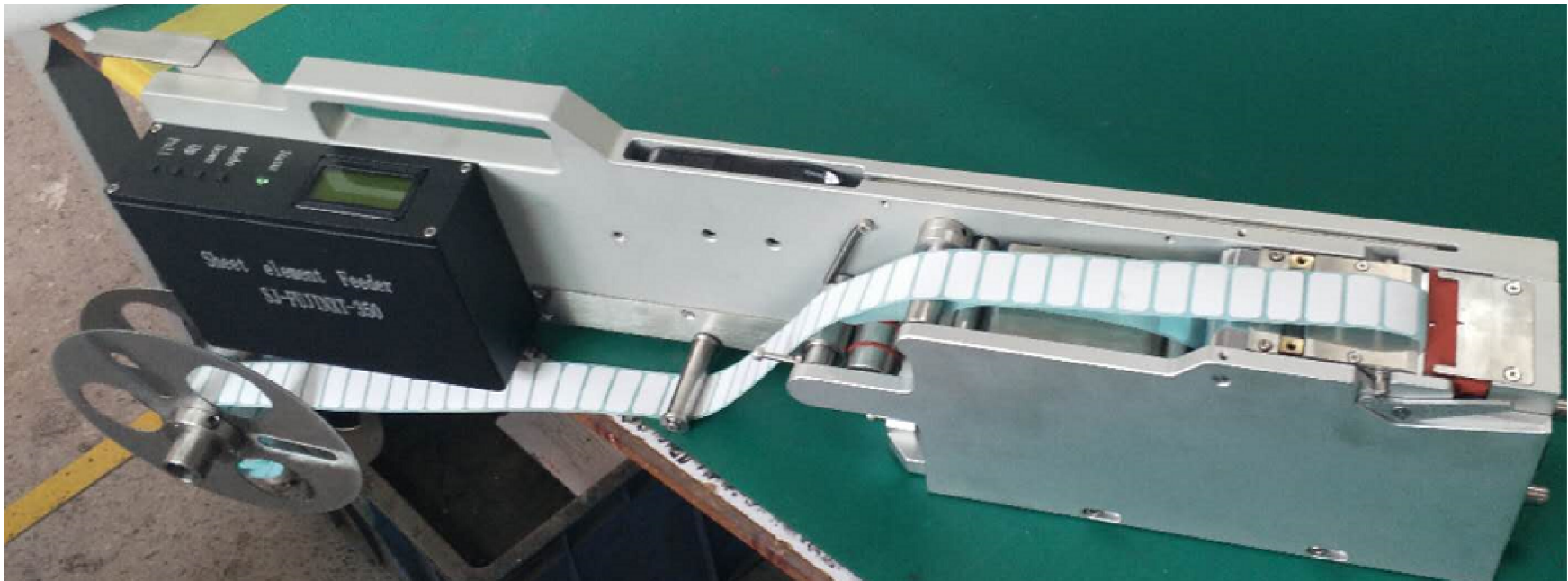


Model	TF4000
Component Size	5x5mm-25x25mm
Tube Length	300mm-650mm
Feeding	Motor Drive
Cycle Time	1.5s-2s
Component Length	Transformer、Relay、 Transistor
Component Input	tube package
Diminsion	1480 (L)x100 (W) x165 (H)

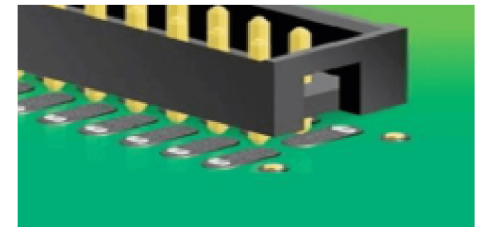
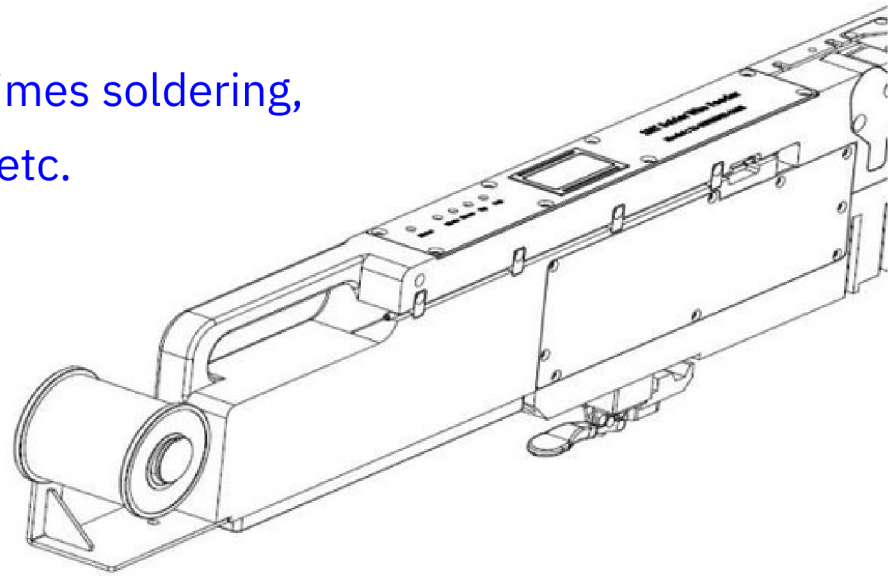
- Vibratory Bowl Feeders are applicable for components in bulk packages, such as a terminal, capacitor, transformer, etc.



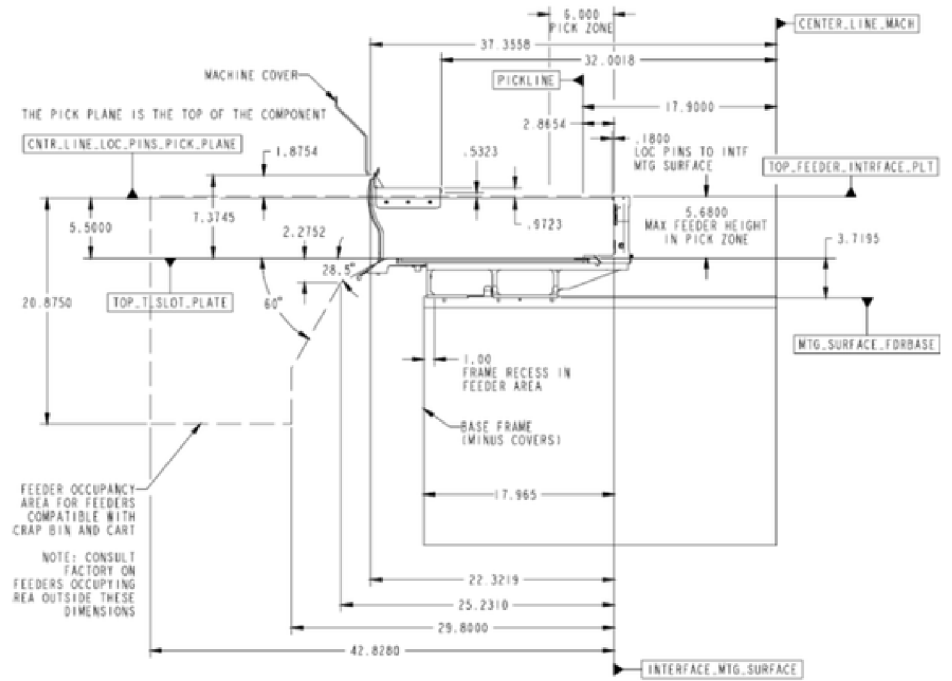
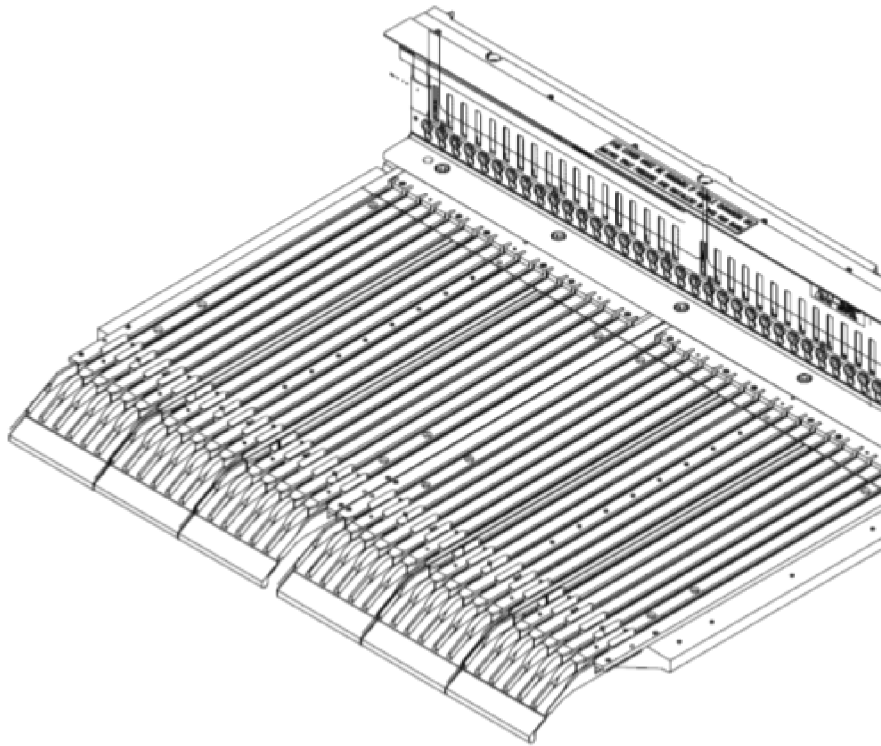
- Automatic assembly instead of Manual. Reduce cost, Improve efficiency.
- Button Control. Easy Use.
- Applications with media size 3x3 to 3x28mm (width x length) can be picked with standard nozzles.
- Configurations available for < 3mm applications. Optional Platform up to 58x50mm.



- Applicable: Components need multi times soldering,
Like 3 pins transistors, USB jack pins, etc.
- Save SMT assembly Costs.



Feeder Interface Drawings





WELCOME INQUIRY

Please visit

www.smthelp.com

Find us more

<https://www.facebook.com/autoinsertion>

Know more our team

<https://cn.linkedin.com/in/smtsupplier>

Welcome to our factory in Shenzhen China

See more machine working videos, please Youtube

[Auto Insertion](#)

Google

Auto+insertion, to get more informations

Looking forward to your email

info@smthelp.com